

Securement Devices

THEN



NOW WITH TUBESAFE™



Designed for intubated patients, the TubeSafe is more reliable in securing gastric and enteral tubes for longer periods compared to other products using adhesives. The TubeSafe does not need regular changing and allows for quick repositions, saving time and money. Glove removal is not necessary when using the TubeSafe and there is no risk of allergic reactions. Common ventilator disconnections may also be avoided if elastics are used with the TubeSafe, benefiting the patient and the clinician. We are confident you'll be impressed with the security of the TubeSafe and in the way it can standardize the holding procedure.

TubeSafe Instructions for Use



1. Disconnect patient from ventilator or oxygen source and push the TubeSAFE onto the hub of the endotracheal tube. Reconnect the patient to the ventilator or oxygen source.



2. Flex the two flaps apart at the smaller slotted hole and slide the gastric tube at an angle into the smaller hole.



3. Release the two flaps to secure the gastric tube in place.

- Ensure the tracheal tube is secure.
- Ensure you have the proper sized TubeSAFE for the tube you are securing.
- Can be used for duration of intubation.

HOW IT WORKS

The TubeSafe takes advantage of the space that is usually present between the flange of a tracheal tube hub and the connector of the ventilator circuit. It is placed over the hub of any tracheal tube and incorporates a smaller, slotted hole into which the gastric tube is placed. The gastric or enteral tube is best engaged into the TubeSafe at an angle, flexing the device apart, and then rotating it into the hole. The TubeSafe can also mark the estimated insertion depth if placed on the gastric or enteral tube prior to insertion.

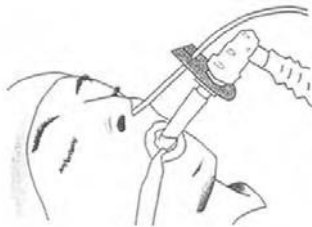
ADVANTAGES OF TUBESAFE™

- Latex and adhesive free
- Ease of use which allows quick repositioning
- Light weight, unbreakable and flexible
- Non-alarming appearance (less invasive than tape)
- Can be used while wearing gloves
- Can prevent common ventilator disconnections
- One TubeSafe lasts for duration of intubation (cost saving)
- May prevent nasal tissue necrosis
- Standardizes the holding procedure
- MRI/X-ray compatible
- Can mark the insertion depth if placed on the gastric tube prior to placement
- Compatible with all tracheal tubes

"The TubeSafe is quick and easy to use, saving time and money."

TubeSAFE

TubeSafe Gastric Tube Holder



LATEX AND ADHESIVE FREE!

Single Patient Use
Fits all Endotracheal Tubes
Shipped Clean
Patent Pending

CAUTION: US federal law restricts this device to sale by or on order of a licensed practitioner.

Available Adult Sizes

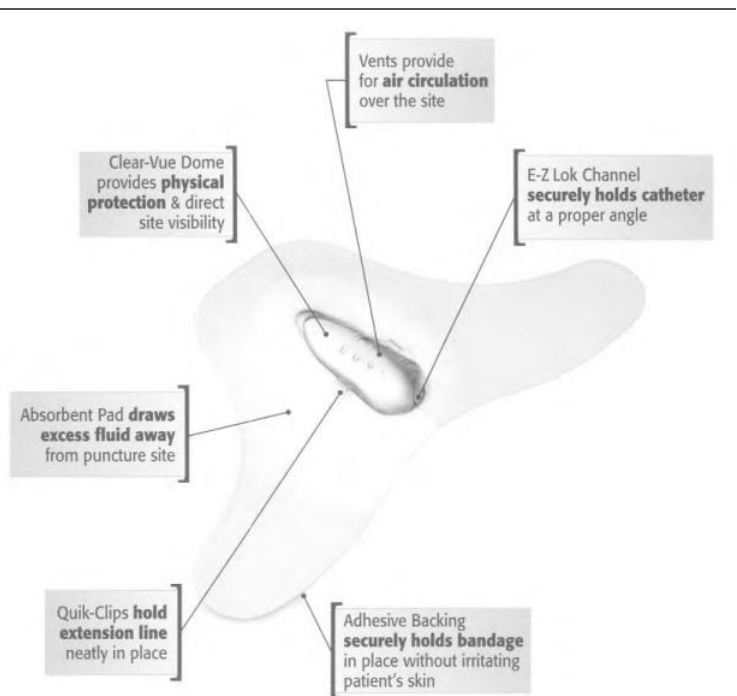


Item No.	Description	Qty.
#FY-1012	12 French	50/Box
#FY-1014	14 French	50/Box
#FY-1016	16 French	50/Box
#FY-1018	18 French	50/Box

Weight: 2 grams
Material: medical grade, recyclable polypropylene

Unlike conventional tape & gauze securement techniques, the Zefon Arterial Anchor Bandage, with its **Clear-Vue Dome**, protects the catheter entry point from direct trauma and provides for continual observation of the site, **allowing for quicker detection and correction of potential problems.**

The **E-Z Lok Channel** safely secures the catheter in a proper fixed position and eliminates the need for suturing, thus **reducing the risk of infection and improving patient comfort.**



Ordering Information

Zefon Arterial Line Securement Device

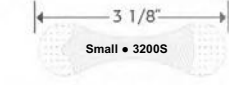
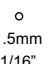


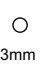

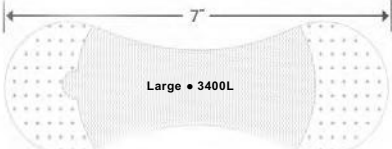


Item No.	Description	Qty
#FC-ZAB-4100	Arterial Line Securement Device/ Arterial Anchor Bandage	50/Box

Securement Devices



Grip-Lok® Universal Securement Device

Featuring 3 sizes to secure virtually all lines, tubes and catheters.

Actual Length	Minimum Tubing Size	Maximum Tubing Size
 3 1/8" Small • 3200S	 1.5mm 1/16"	 4.5mm 3/16"
 3 1/2" Medium • 3300M	 3mm 1/8"	 8mm 5/16"
 7" Large • 3400L	 6mm 1/4"	 13mm 1/2"

Standard Grip-Lok





Featuring 3 sizes to secure virtually all lines, tubes and catheters.

Ordering Information

Item No	Description	Tubing Size Range	Qty
#FC-3200S	Sm. Grip Lock	1.5mm to 4.5mm	100/Bx
#FC-3300M	Med. Grip Lock	3.0mm to 8.0mm	100/Bx
#FC-3400L	Lrg. Grip Lock	6.0mm to 13.0mm	100/Bx

Grip-Lok H® Hydrocolloid Securement Device

Featuring a hydrocolloid adhesive that is gentle on patients with fragile skin.

Actual Length	Minimum Tubing Size	Maximum Tubing Size
 2.5" Extra Small • 3100ESH	 1mm 1/32"	 3mm 1/8"
 3" Small • 3200SH	 1.5mm 1/4"	 4.5mm 3/16"

Grip-Lok H Hydrocolloid Securement Device

Designed using a hydrocolloid adhesive that is gentle on patients with fragile skin, such as neonatal patients.

Ordering Information

Item No	Description	Tubing Size Range	Qty
#FC-3100ESH	Ext Sm. Grip Lock	1.0mm to 3.0mm	100/Bx
#FC-3200SH	Sm. Grip Lock	1.5mm to 4.5mm	100/Bx

Safe

Grip-Lok® is latex free and packaged sterile, allowing you to use Grip-Lok® close to the insertion site or right in the sterile field.

Simple

Grip-Lok® is applied in the same simple manner as a bandage and can be *easily placed and adjusted by gloved hands*.

Secure

Durably engineered, *Grip-Lok® holds better than tape and helps prevent dislodgment and migration*, resulting in reduced risk of lost lines and patient discomfort. Using Grip-Lok® for catheter stabilization conforms to the new Infusion Nursing Standards of Practice¹ and can eliminate the need for sutures and unscheduled catheter restarts, thus directly reducing needlestick injuries.²

Versatile

Grip-Lok® can be universally used among a wide range of lines and tubes along with virtually all catheter brands and types.



The Grip-Lok® Advantage

- Easy to use and apply - even with gloved hands
- Strong grip holds important lines in place, saving time, money and patient comfort
- Conforms to the new Infusion Nursing Standards of Practice¹ and can eliminate the need for sutures and unscheduled catheter restarts, thus directly reducing needlestick injuries²
- Hypoallergenic and Latex Free to reduce the risk of allergic reactions
- Sterility allows use close to the insertion site
- Hydrocolloid version designed to be gentle on fragile skin, especially in neonatal patients³

Common Applications

Grip-Lok® can be secured anywhere on the body and can be used universally with lines, tubes and catheters of varying sizes.

- Chest Tubes
- Feeding Tubes
- Intravenous Lines
- Central Venous Catheter
- Peripherally Inserted Central Catheter (PICC)
- Surgical Drains

Any place a catheter, tube or line needs to be secured!

