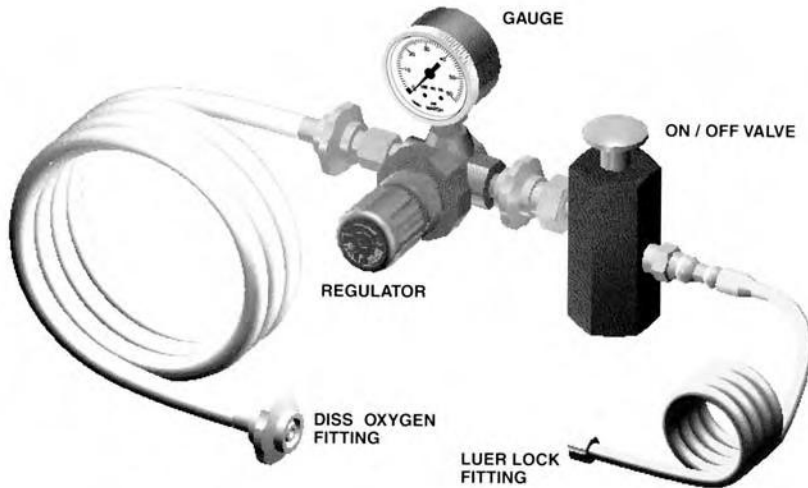


# Jet Ventilators



## #GZ-BE 183-SUR

Manual Jet Ventilation Kit comes complete with Regulator, Gauge, On/Off valve, 6-ft. High Pressure Tubing and 4 ft. Small Bore Tubing. Note: Optional tubing lengths are available upon special order requests.

### Parts and Accessories:

- #GZ-BE 183-2      4 ft. Small Bore Tubing
- #GZ-BE 183-6      6 ft. High Pressure Tubing
- #GZ-BE 183-G      Gauge
- #GZ-BE 183-R      Regulator and Gauge
- #GZ-BE 183-SU     Ventilator Kit without Regulator or Gauge



## #19-00325

A ventilating system for rigid-wall bronchoscopy and laryngeal microsurgery consisting of 5' high-pressure tubing with DISS fitting, flow control valve, thumb control valve, pressure gauge, and 20" clear plastic tubing with Luer fitting for attachment of adapters and tubes.

## #19-00325S

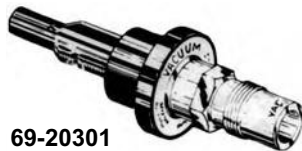
Same as above but with 10' high pressure tubing.



69-20112



69-30072



69-20301



69-20151



69-20275



69-20132

## Features:

- Reusable, lightweight, portable and durable.
- On/Off spring valve provides flow when pressed and stops flow when released.
- Can be used in conjunction with needle cricothyrotomy to ventilate patients.
- A necessity for emergency rooms, crash carts and ambulances.

## Oxygen Duplex Adapter with Check Valves



69-20194

## Quick Connect Wall Adapter Fittings

These fittings will screw directly into the Jet Ventilator hose.

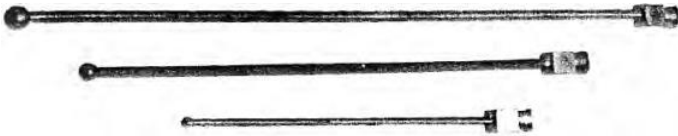
- 69-20112 Chemetron oxygen adapter x D.I.S.S. oxygen male
- 69-30072 Ohmeda type oxygen adapter x D.I.S.S. oxygen male
- 69-20301 Oxequip oxygen Med\*Star adapter x D.I.S.S. oxygen male
- 69-20151 Oxequip oxygen adapter x D.I.S.S. oxygen male
- 69-20275 Puritan oxygen adapter x D.I.S.S. oxygen male
- 69-20132 Schrader oxygen adapter x D.I.S.S. oxygen male (non-swivel)

# Jet Ventilators/Accessories

## Bronchoscope Adapter

These adapters are designed for attachment to the proximal end of most conventional rigid wall bronchoscopes for the purpose of intermittently inflating the patient's lungs during bronchoscopy under intravenous anesthesia.

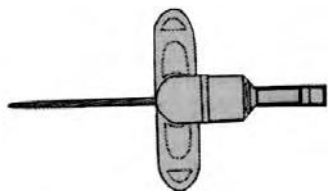
**19-00326**



## Copper Tube

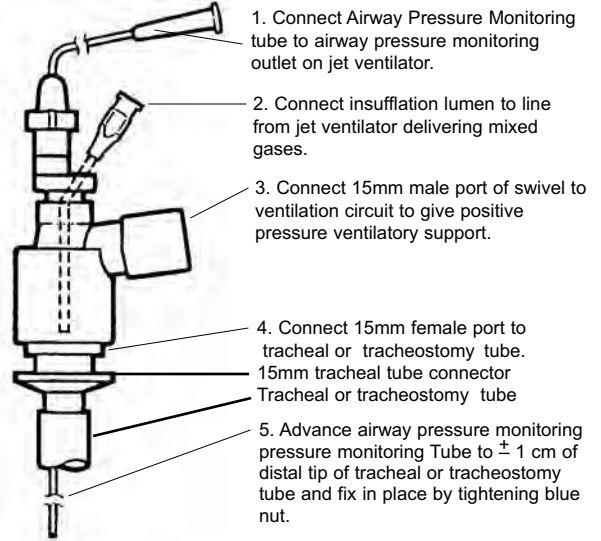
- 20cm adult **19-00329A**
- 15cm child **19-00329C**
- 10cm infant **19-00329I**

A copper tube with a Luer connection at the proximal end for attachment to the jet ventilator and a rounded distal end. The soft, malleable tube can be used in laser surgery.



## #04-600101- Jet Ventilator Adapter Single-Patient Use

Directions For Use



- Disposable; single-use only
- Works with GZ-BE-183-SUR Ventilator
- 15mm O.D. and Luer Lock connection
- Sterilized; ready-to-use
- Foam necktape with velcro lock
- Available in 13G and 14G catheters

## Tracheostomy Adapter

**#19-00-331**

15mm female x female Luer lock

The transtracheal catheter is an over-the-needle plastic catheter that is anatomically curved for easier insertion.

**GZ-ACU 1060.1** Transtracheal catheter for adults 13 gauge

**GZ-ACU 1060.2** Transtracheal catheter for children 14 gauge